

Kidde ECS Fire Suppression System Marine Series Component Description Marine Supervisory Pressure Switch, Electrical Specifications



Effective: June 2014

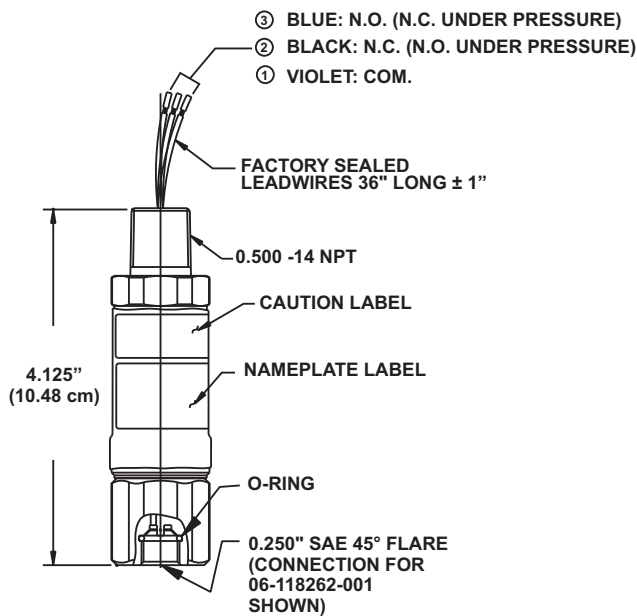
K-90-9150M Rev BA

FEATURES

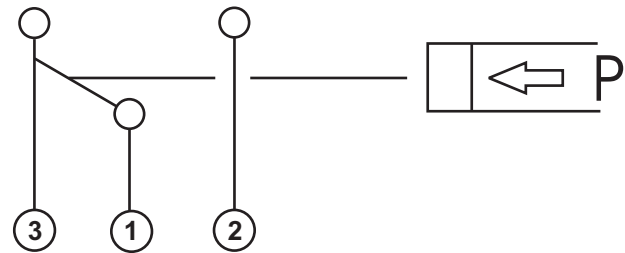
- Dry Contact Switch for Connection to Supervised Control Circuit

- Switches for Use on FM-200 Systems

P/N: 06-11826X-001



SWITCH SCHEMATIC



COMPATIBILITY

Series	For Use With
Kidde ECS HFC-227ea	X
Kidde ECS Advanced Delivery FM-200®	X

ELECTRICAL RATING

- 5A 24 Vdc (Resistive)
- 5A 240 Vac (Resistive)

Note: Refer to Data Sheets K-90-9047 and K-90-9048 for more information.

This literature is provided for informational purposes only. KIDDE-FENWAL, INC. assumes no responsibility for the product's suitability for a particular application. The product must be properly applied to work correctly. If you need more information on this product, or if you have a particular problem or question, contact KIDDE-FENWAL Inc.

FM-200 is a registered trademark of E.I. du Pont de Nemours and Company. Kidde is a registered trademark of Kidde-Fenwal Inc. All other trademarks are the property of their respective owners.